

## INVITATION TO BID NO. 2024B033

Issue Date	Time and Date of Opening	Buyer	Phone Number
04/30/24	9:00 A.M. Alaska Time, May 16, 2024	Nikki Martindale	907-343-4590

ITB No. 2024B033 – Furnish Plating Conveyor Tables to the Municipality of Anchorage (MOA), Office of The Municipal Manager.

Cover Sheet	Page 1
General Provisions	Pages 2 - 3
Special Provisions	Pages 3 - 4
Bidders Check List	Page 5
Bid Proposal	Pages 6 - 7
Specifications	Consisting of 1 Page
Responsible Bidder Questionnaire	Consisting of 3 Pages

To be considered for award bids **will**:

- Be submitted on the forms provided with this ITB and signed (either manually, electronically, or digitally) by an authorized representative of the bidder;
- Be received by the Purchasing Office, 632 W. 6<sup>th</sup> Avenue, Suite 520, Anchorage, AK 99501, **prior** to the time and date set for the bid opening (time and date of bid receipt will be determined by the time/date stamp in the Purchasing Department);
- Be time and date stamped by the Purchasing Office;
- Be in a sealed envelope in accordance with Special Provisions, Paragraph 7; and,
- Acknowledge all ITB addendums; if any (failure to acknowledge Addenda may result in bid being considered non-responsive.)
- **Faxed or emailed bids will NOT be accepted unless noted otherwise in the bid documents.**

Bids not in compliance with the above requirements may be declared non-responsive and held unopened by the Purchasing Department. The MOA reserves the right to accept or reject any and all bids.

This ITB is available electronically (.pdf) at the MOA, Purchasing Office's website; <http://www.muni.org/Departments/purchasing/Pages/bidding.aspx>. The bidder is responsible for periodically checking the MOA Purchasing website for any addenda.

Bidders interested in participating via teleconference will call 1-907-343-6089 no earlier than **8:55 A.M. Alaska Time, May 16, 2024**. It is respectfully requested bidders participating via teleconference to please use a land line. **FOR AUXILIARY AIDS, SERVICES, OR SPECIAL MODIFICATIONS TO PARTICIPATE PLEASE CONTACT THE PURCHASING DEPARTMENT AT 907-343-4590 TO REQUEST REASONABLE ACCOMMODATIONS; OR VIA EMAIL AT WWPUR@MUNI.ORG.**

Questions regarding this ITB **will** be submitted in writing via email to [wwpur@muni.org](mailto:wwpur@muni.org). Written questions **will** be received no later than **12:00 P.M. Alaska Time, May 8, 2024**. Questions will include the Buyer's name, the ITB number and ITB Title, on the subject line.

The MOA Purchasing Office is open from 8:00am to 5:00pm Monday through Friday, excluding MOA Holidays.

MUNICIPALITY OF ANCHORAGE



Nikki Martindale  
Deputy Purchasing Director

**GENERAL PROVISIONS**

The attached provisions, as modified by any addendum hereto, will become a part of any Purchase Order resulting from this Invitation to Bid. The Vendor by his acceptance of this order agrees thereto:

1. No alteration in any of the terms, conditions, delivery, price, quality, quantities or specifications of this order will be effective without prior consent of the Purchasing Director.
2. No charges will be allowed for packing, wrapping, bags, containers, reels, etc., unless otherwise specified.
3. Time of delivery is part of the essence of this contract and the **order is subject to cancellation for failure to deliver on time.**
4. For any exception to the delivery date as specified on this purchase order, the Vendor will give prior notification and obtain approval thereto from the Purchasing Director.
5. Shipping Instructions: Unless otherwise specified, please ship prepaid via cheapest common carrier FOB Destination. The MOA cannot accept COD Shipments.
6. Materials purchased are subject to the approval of the MOA and, if rejected, are held subject to the Vendor's risk and expenses incurred for their return as approved by the Purchasing Officer.
7. Purchase Order number *WILL* appear on all invoices, packing lists, packages, shipping notices, instruction manuals, and any correspondence.
8. Memorandum of contents will be enclosed in each box or package.
9. The vendor agrees to protect the MOA against all claims for patent or franchise infringement arising from the purchase, installation, or use of the material ordered on this contract, and to assume all expense and damage arising from such claims.
10. If price is not stated on this order, it is agreed that the goods will be billed at the price last quoted or paid, or the prevailing market price, whichever is lower.
11. It is agreed that the waiver or acceptance of any breach of any of the terms of this order will not operate to relieve the Vendor of the responsibility herein under for any prior to subsequent breach.
12. All specifications and plans referred to in this order will form a part of the contract.
13. The Vendor warrants articles supplied under this contract to conform to specifications herein, to be fit and sufficient for the purpose manufactured, merchantable, of good material and workmanship, and free from defect.
14. Cash discount period on all invoices will commence on the date the shipment is received by the MOA. If an adjustment or damage occurs on a shipment subject to cash discount, the discount period will commence on the date the shipment is finally accepted.
15. The MOA is exempt from Federal Excise and Transportation Taxes. Exemption certificates will be furnished upon request.
16. Liens: Vendor, by accepting this purchase order, warrants and represents that the goods, wares or merchandise ordered herein are free and clear from all claims and liens of whatsoever nature.
17. Upon opening bid, abstracts will be posted and available on The MOA Website: [www.muni.org](http://www.muni.org)
18. ANTI-DISCRIMINATION: During the performance of this contract the contractor agrees as follows:
  - (A) The Contractor will not discriminate against any employee or applicant for employment because of race, color, religion, national origin, ancestry, age, sex, sexual orientation, gender identity, marital status or mental or physical handicap. The Contractor will take affirmative action to ensure that applicants are employed and that employees are treated during employment without regard to the characteristics listed above. Such action will include, without limitation, employment, upgrading, demotion or transfer, recruitment or recruiting advertising, lay-off or termination, rates of pay or other forms of compensation and selection for training including apprenticeship. The Contractor will post in conspicuous places, available to employees and applicants for employment, notices setting forth the provisions of this non-discrimination clause. The contractor will comply with all laws concerning the prohibition of discrimination including, but not limited to Title 5 and Title 7 of the Anchorage Municipal Code.
  - (B) The Contractor will state, in all solicitations or advertisements for employees to work on contract jobs, that all qualified applicants will receive consideration for employment without regard to race, color, religion, national origin, ancestry, age, sex, sexual orientation, or gender identity, marital status, or physical or mental handicap.

**GENERAL PROVISIONS (Continued)**

- (C) The contractor will send to each labor union or representative of workers with which he has a collective bargaining agreement or other contract or understanding, a notice to be provided advising the labor union or workers' representative of the contractor's commitments under Section 202 of Executive Order No. 11246 of September 24, 1965, as amended, and will post copies of the notice in conspicuous places available to employees and applicants for employment.
- (D) The contractor will comply with all provisions of Executive Order No. 11246 of September 24, 1965, as amended, and of the rules, regulations, and relevant orders of the Secretary of Labor.
- (E) The contractor will furnish all information and reports required by Executive Order No. 11246 of September 24, 1965, as amended and by the rules, regulations and orders of the Secretary of Labor, or pursuant thereto, and will permit access to his books, records, and accounts by the owner of any one the owner will designate for purposes of investigation to ascertain compliance with such rules, regulations and orders.
- (F) In the event of the contractor's noncompliance with the nondiscrimination clauses of this contract or with any of such rules, regulations, or orders, this contract may be canceled, terminated, or suspended in whole or in part and the contractor may be declared ineligible for further contracts.

In accordance with procedures authorized in Executive Order No. 11246 of September 24, 1965, as amended, and such other sanctions may be imposed and remedies invoked as provided in Executive Order No. 11246 of September 24, 1965, as amended, or by rule, regulation, or order of the Secretary of Labor, or as otherwise provided by law.

- (G) By submitting a bid, the contractor certifies they are an equal opportunity employer and will not discriminate against any employee or applicant for employment because of race, color, religion, national origin, ancestry, age, sex, sexual orientation, gender identity, marital status, or physical or mental disability. The contractor will comply with all laws concerning the prohibition of discrimination including, but not limited to Title 5 and Title 7 of the Anchorage Municipal Code.
- (H) The contractor will include the provisions of paragraph 18 (A) through (G) in every subcontract or purchase order unless exempted by rules and regulations or orders of the Secretary of Labor issued pursuant to Section 204 of Executive Order No. 11246 of September 24, 1965, as amended, so such provisions will be binding upon each subcontractor or vendor. The contractor will take such action with respect to any subcontractor or purchase order as the owner may direct as a means of enforcing said provisions, including sanctions for noncompliance.

**SPECIAL PROVISIONS**

1. Any bid not meeting the requirements of this Invitation to Bid may be considered non-responsive.
2. Any bids quoting other than F.O.B. Destination, including freight, will be considered non-responsive. **Destination is: Municipality of Anchorage, Dena'ina Convention Center, 600 W 7<sup>th</sup> Ave, Anchorage AK 99501.**
3. Bids **will not be withdrawn for a period of forty-five (45) days** from date of bid opening.
4. The MOA will not be responsible for any bid preparation costs; including but not limited to costs associated with attending the pre-bid conference.
5. The MOA will not be responsible for any costs, including attorney fees (administrative, judicial or otherwise), associated with any challenge as to the determination of the lowest responsive and responsible bidder and/or award of contract, and/or rejection of bids. By submitting a bid, the bidder agrees to be bound in this respect and waives all claims to such costs and fees.
6. The MOA assumes no responsibility for any interpretations or representations made by any of its officers or agents unless such interpretations or representations are made by Addendum to this Solicitation.
7. **Bids will be submitted in a sealed envelope addressed to the MOA Purchasing Department, 632 W. 6<sup>th</sup> Avenue, Suite 520, Anchorage, AK 99501 and will include the following, clearly and legibly written/typed on the outside of the envelope:**
  - a. **Bidder's Name (as indicated on Business License), Address, City, State, and Zip Code**
  - b. **Invitation to Bid #, Invitation to Bid Title and Buyer's Name**
8. At the above indicated time, bids will be opened publicly and read aloud. Bids received after the scheduled bid opening date and time or bids not containing the Purchasing Office time and date stamp will not be considered and will be held unopened by the Purchasing Department.

**SPECIAL PROVISIONS (Continued)**

9. **NO RESPONSIBILITY WILL ATTACH TO ANY OFFICER FOR THE PREMATURE OPENING OF, OR THE FAILURE TO OPEN, A BID NOT PROPERLY ADDRESSED AND IDENTIFIED.**
10. A bidder may withdraw, modify, or correct their bid after it has been deposited with the Purchasing Department. Requests for withdrawal, modification, or correction will be in writing and received by an agent of the MOA Purchasing Department. Requests for withdrawal, modification, or correction will be received **before** the time set for bid opening. Modified or corrected bids will be signed by an authorized bidder representative. Facsimile or emailed modifications or corrections **WILL NOT** be accepted. Modified or corrected bids will be received prior to the date and time set for bid opening. No bidder will be permitted to withdraw an offer after the time set for bids to be opened.
11. Whenever a material, article, or piece of equipment is identified on the plans or in the specifications by reference to manufacturer or vendor name, trade name, catalog number, etc., it is intended merely to establish a standard; unless otherwise specified in the Invitation to Bid. Any material, article, or equipment of other manufacturers and vendors which meet the form, fit, and function imposed by the general design will be considered equally acceptable provided the material, article, or equipment so proposed is, in the opinion of the MOA, of equal substance in form, fit and function. Any item quoted, as "equal" will be accompanied by complete data and/or brochures to be used in evaluation.
12. Alternate bids are not encouraged unless specifically requested. However, if an alternate bid is submitted, the MOA will have sole discretion in either accepting or rejecting each alternate offered.
13. The Office of the Purchasing Director is located at 632 W. 6th Avenue, Suite 520, Anchorage, Alaska 99501, and is open for business from 8:00am to 5:00pm, Monday – Friday, Excluding MOA Holidays. Acceptance of special delivery mail is not available Saturday or Sunday.
14. The following will be held in the MOA Purchasing Office, 632 W. 6<sup>th</sup> Ave, Suite 525, Anchorage, AK 99501:

**Bids Opened at:**

**9:00 A.M. Alaska Time,**

**May 16, 2024**

15. If more than one bid is offered by any one party for the same product, by or in the name of his clerk, partner, or other person, all such bids will be rejected. A party who has quoted prices to a bidder is not thereby disqualified from quoting prices to other bidders, or from submitting a bid directly for the work.
16. The MOA may reject any unbalanced bid if it is in the best interest of the MOA. A bid is considered unbalanced, when in the opinion of the Purchasing Director, the bid allocates a disproportionate share of costs to one or more bid items and reduces the costs of another bid item or items, and if there is a reasonable possibility that the bid will not result in the lowest overall cost to the MOA.
17. When the Bidding Documents contain a basic bid and additive alternates, the low Bidder will be determined by the lowest combination of the basic bid and as many additive alternates as may be chosen in the order listed in the Bid. The Purchasing Director may bypass any additive alternate whose selection would cause the Contract to exceed the funds available.
18. The Purchasing Director will use the list of priorities in the bid schedule to determine the low bidder only. After determining the low bidder, an award may be made on any combination of the bid items provided: (1) it is in the best interest of the MOA; (2) funds are available at the time of award; and (3) the low bidder's price for the combination to be awarded is less than the price offered by any other responsive, responsible bidder.
19. The MOA standard payment terms are NET 30. Bidders may offer discounts for prompt payment. The minimum prompt payment terms acceptable to the MOA is 1% and net 15 days. Prompt payment terms will **NOT** be utilized to determine final net price offered. Any prompt payment terms lower than 1% and net 15 will result in payment terms of NET 30. If bid includes prompt payment terms, bidder will include payment terms on the Bid Proposal Page. **NOTE: The prompt payment period will commence upon receipt and acceptance of the supply/service or receipt of a valid invoice; whichever occurs last.**
20. The MOA desires to utilize the MOA Procurement Card (credit card) for purchases made against this ITB. Bidder will indicate on the Bid Proposal Page if the MOA Procurement Card is acceptable.

---

**BIDDER'S CHECK LIST**

**I. GENERAL**

Bidders are advised, notwithstanding any instructions or implications elsewhere in this Invitation to Bid, only the documents shown and detailed on this sheet need be submitted with and made part of their bid. Other documents may be required to be submitted after bid opening, but prior to award. Bidders are hereby advised failure to submit all required documents shall be justification for rendering the bid non-responsive. Evaluation of bids for responsiveness shall be accomplished in accordance with Anchorage Municipal Code, Title 7.

**II. REQUIRED DOCUMENTS FOR BID**

- A. BID PROPOSAL: Pages 6-7. **Page 7** shall be signed by an authorized representative of the Bidder.
- B. ADDENDA: All addenda issued against this Invitation to Bid shall be acknowledged on the Bid Proposal page or by manually signing the Addenda sheet(s) and submitting the Addenda sheet(s) to the Municipality Purchasing Office prior to the time and date set for bid opening.

**III. RESPONSIBLE BIDDER/CONTRACTOR QUESTIONNAIRE – IF APPLICABLE**

Per AMC 7.20.030.B. the required certifications or disclosures must be submitted to the Purchasing Officer within five calendar (5) days of the request of Purchasing. The certifications and disclosures will be utilized by the Purchasing Officer to determine vendor responsibility. The required questionnaire is attached for review.

(Remainder of Page Intentionally left Blank)

**BID PROPOSAL**

**NOTE: Erasures or other changes made on the Bid Proposal page or the signature page shall be initialed by the person signing the bid.**

Item	Manufacturer	Description	Qty	Unit	Unit Price	Extended Price
1	Gates	Commercial Plating Conveyor Table: Size & Shape per information provided in attached drawings. 14ga/304 Series S.S. Construction; (2) 10"W Fabric Belts per Table; Dry Operation; Variable Speed Motor (120/60/1ph, 1/2 HP); Sensor Bar; Pan-Type Limit Switch; (1) Start/Stop Control; Removable Crumb Pan; Casters; Cord and Plug w/Cord Wrap Bracket. <b>***NO SUBSTITUTIONS***</b>	2	EA	\$ _____	\$ _____
<b>Delivery is expected on or before 60 days ARO. Anticipated Delivery Date:</b>					_____	

Prompt Payment Discount - Payment Terms Offered
_____ % Net 15 OR Net 30 (default) 1% is the minimum amount allowed (As referenced in Special Provisions, paragraph 19)

Addendum Acknowledgement
Number(s) _____ is/are hereby acknowledged

**The bidder will accept CREDIT CARDS FOR PURCHASES against this ITB.**

- YES  
 NO

**BASIS OF AWARD**

Award will be made to the lowest responsive and responsible bidder in accordance with Anchorage Municipal Code Sections 7.15.040, 7.20.020, 7.20.030, and 7.20.040, with preference to local bidders applied in accordance with Section 7.20.040. Evaluation for determining the lowest bid will be made in the **aggregate. TO BE CONSIDERED FOR AWARD ALL ITEMS MUST BE BID.** All items must be new and come with manufacturer's warranty, if supplied by the manufacturer. The purchasing Director will have the sole discretion to determine whether the bid submitted meets specifications of the Invitation to Bid, whether a bidder is responsive, and whether a deviation is material

**DELIVERY STATEMENT**

The MOA requires delivery of all items as soon as possible. The required delivery date is no later than 60 days after receipt of order (ARO). Any bids indicating a delivery date outside of the required delivery date may be considered non-responsive.

**Delivery Coordination Contact: Therin Ferrin (907) 263-2860 or therin@anchorageconventioncenters.com**

**Delivery Address: Municipality of Anchorage, Dena'ina Convention Center, 600 W 7th Ave, Anchorage AK 99501.**

Vendor Name \_\_\_\_\_

**BID PROPOSAL (CONTINUED)**

By submitting a bid, the bidder acknowledges receipt, has reviewed and has an understanding of all documents listed on the Invitation to Bid Cover Sheet. For purposes of bid evaluation and contract award, in the event of inconsistency between the unit price and extended amount, the unit price will govern.

\_\_\_\_\_  
Authorized Representative Signature

\_\_\_\_\_  
Date

\_\_\_\_\_  
Printed Name

\_\_\_\_\_  
Title

\_\_\_\_\_  
Printed Vendor Name

\_\_\_\_\_  
Phone Number

\_\_\_\_\_  
Mailing Address

\_\_\_\_\_  
Fax Number

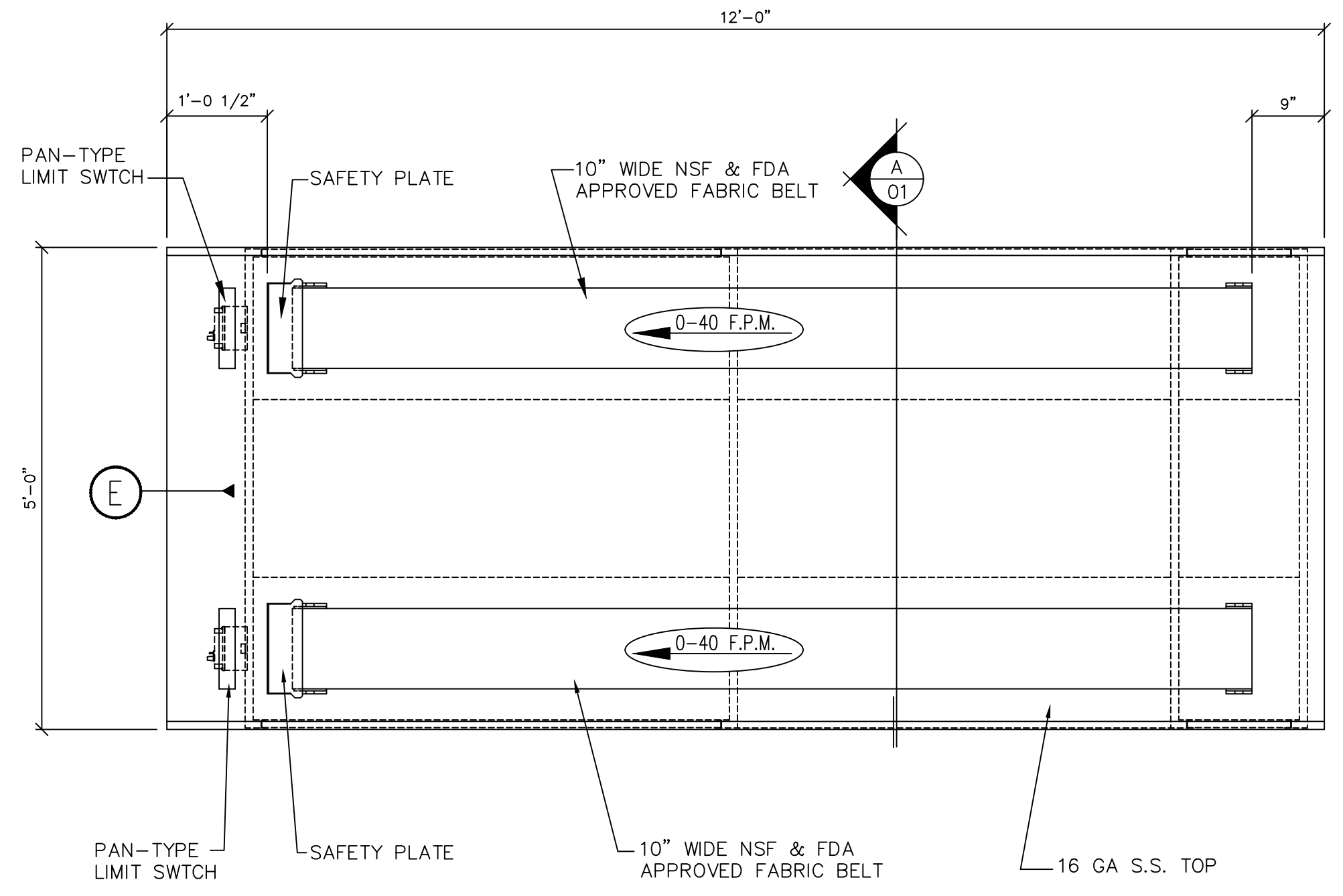
\_\_\_\_\_  
City, State, Zip Code

\_\_\_\_\_  
Company Email Address

\_\_\_\_\_  
Physical Address of Company (if different from above)

\_\_\_\_\_  
City, State, Zip Code

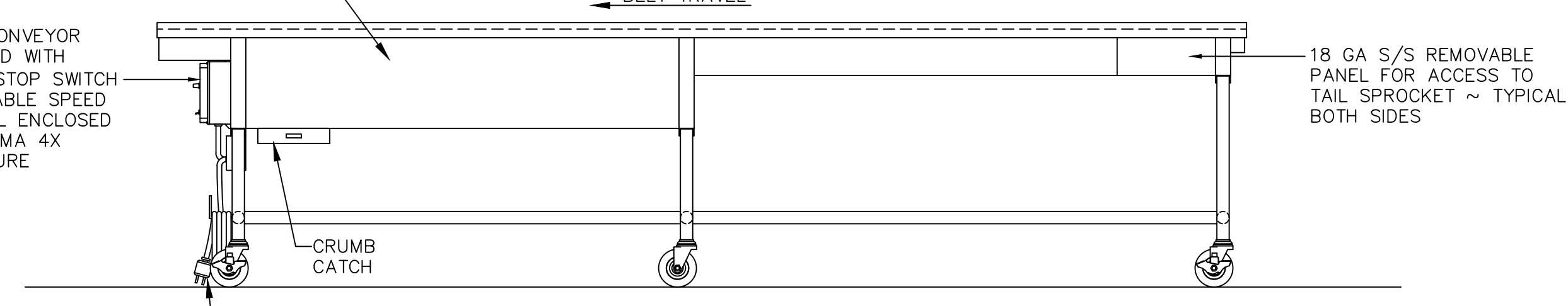
By signing above the bidder certifies they are an equal opportunity employer and will not discriminate against any employee or applicant for employment because of race, color, religion, national origin, ancestry, age, sex, sexual orientation, gender identity, marital status, or physical or mental disability. The contractor will comply with all laws concerning the prohibition of discrimination including, but not limited to Title 5 and Title 7 of the Anchorage Municipal Code.



**PLAN VIEW**  
 SCALE: 3/4"=1'-0"  
**ITEM #1: PLATING CONVEYOR**  
 ONE (1) REQ'D

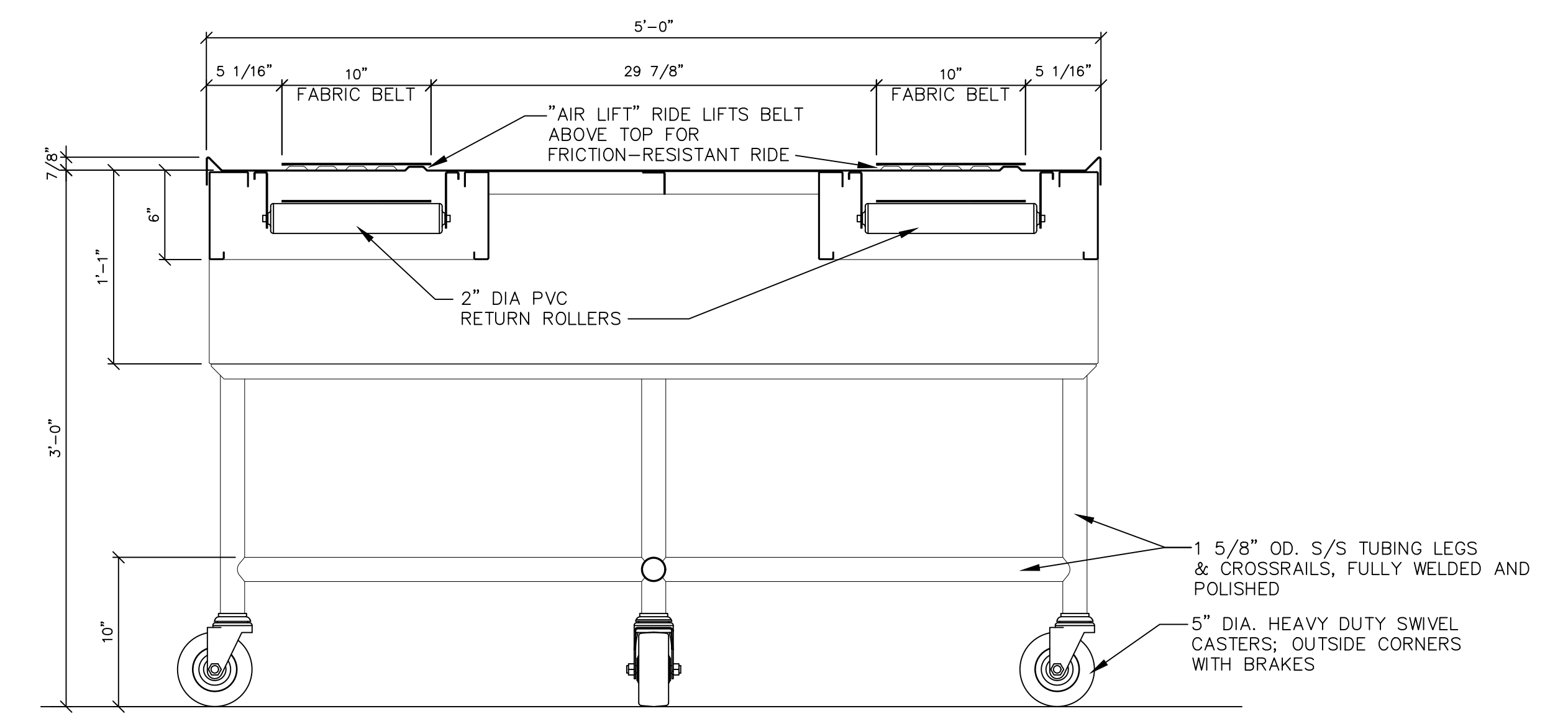
DRIVE HOUSING CONSTRUCTED OF 18 GA S/S EXTERIOR, W/ S/S ANGLE FRAMEWORK & 18 GA S/S REMOVABLE ACCESS PANEL ~ TYPICAL BOTH SIDES

EACH CONVEYOR EQUIPPED WITH START/STOP SWITCH & VARIABLE SPEED CONTROL ENCLOSED IN A NEMA 4X ENCLOSURE



7'-0" LONG S012-3 CORD WITH 120/1 20 AMP (NEMA #5-20P) PLUG ~ MATCHING RECEPTACLE FURNISHED BY OTHERS ~ PROVIDE WITH A S.S. CORD WRAP BRACKET

**ELEVATION**  
 SCALE: 3/4"=1'-0"



**SECTION A-A**  
 SCALE: 1 1/2"=1'-0"

**CONSTRUCTION NOTE:**  
 CONVEYOR SLIDER PAN CONSTRUCTED OF 16 GA S/S, W/ ALL CORNERS COVERED - SOUND DEADEN UNDERSIDE OF PAN, REINFORCE W/ 1 1/2" x 1 1/2" S/S ANGLE UNDERBRACING - CONVEYOR POWERED BY 1/2 HP FAN-COOLED TOTALLY ENCLOSED 90 VOLT D.C. VARIABLE SPEED MOTOR W/ BRAKING SYSTEM, WORM GEAR SPEED REDUCER, AND ELECTRIC VARIABLE SPEED CONTROL - SYSTEM TO BE DRY RUN - CONVEYOR FURNISHED W/ NEMA 4X CONTROL PANEL W/ OVERLOAD AND UNDER-VOLTAGE PROTECTION

**TRAY MAKE-UP CONVEYOR**  
 MODEL #TM-FB10-D-10-E-SB-PTL

- └ PAN-TYPE LIMIT SWITCH
- └ SENSOR BAR
- └ ELECTRIC VARIABLE SPEED
- └ VISIBLE BELT LENGTH
- └ DRY OPERATION
- └ 10" WIDE FABRIC BELT
- └ TRAY MAKE-UP SERIES

NOTE: BELT WEIGHT LIMIT IS 5 POUNDS PER LINEAL FOOT !!

**CONVEYOR CONTROL NOTE:**  
 CONVEYOR WILL RUN WHEN START SWITCH IS ACTIVATED ---  
 CONVEYOR WILL STOP WHEN STOP SWITCH IS ACTIVATED ---  
 CONVEYOR WILL STOP WHEN SAFETY PLATE IS ACTIVATED ---  
 WHEN SAFETY PLATE IS CLEARED, CONVEYOR WILL RUN WHEN START SWITCH IS ACTIVATED ---  
 CONVEYOR WILL STOP WHEN PAN TYPE LIMIT SWITCH IS ACTIVATED ---  
 WHEN LIMIT SWITCH IS CLEARED, CONVEYOR WILL REACTIVATE AUTOMATICALLY ---

ALL CONNECTIONS SHOWN HERE ARE REQUIRED FOR EQUIPMENT FURNISHED BY GATES, MFG. - ADDITIONAL CONNECTIONS REQUIRED FOR OTHER EQUIPMENT, SUCH AS WATER CONNECTIONS, DRAIN LOCATIONS, ELEC POWER, ETC. SHOULD BE FURNISHED BY FSEC

**U.L. & N.S.F. APPROVED**

UTILITY CONNECTION SCHEDULE	
E	ELECTRIC CONNECTION, 120/1, 1/2 HP, 11 AMP, C&P

ITEM	QTY	FABRICATED EQUIPMENT SCHEDULE
1	1	PLATING CONVEYOR

REVISION	DATE	BY

**GATES MANUFACTURING**  
 6824 SHULEY AVENUE, ST. LOUIS, MISSOURI 63119  
 (314)847-5662 • (800)237-9226 • GATESMFG.COM

**DETAILS OF EQUIPMENT**  
**DENA'INA CENTER**  
 Anchorage Convention Center  
 FOOD SERVICE CONSULTANT:

DRAWN: KEN  
 SCALE: AS NOTED  
 ORDER NO.:  
 DATE: 10/11/2023  
 PROJECT NO.:  
 PRELIMINARY SHEET  
**1C**



## Municipality of Anchorage Contractor Questionnaire

---

Contractors/Vendors wishing to qualify for award of a bid or proposal offered by the Municipality of Anchorage shall submit this completed form and any supplemental information requested by this form within five days following a request by the Purchasing Officer.

Contractor/Vendor Name: \_\_\_\_\_

Owner(s) of Company (if sole proprietorship or partnership): \_\_\_\_\_

---

List all Alaska construction contractor's registration numbers, registration types and expiration dates of the Alaska business licenses held by your company in the past three years:

---

---

Has your company changed names, business license number, or contractor registration number in the past three years?

Yes       No

If "Yes," explain on a separate signed page, including the reason for the change.

Has any owner, partner or (for corporations) officer of your company operated any business offering similar services outlined in the bid or proposal under any other name in the past three years?

Yes       No

If "Yes," explain on a separate signed page, including the reason for the change.

### **Certifications & Disclosures**

For these questions & certifications, "company" includes any entity that shares or has shared majority ownership or control with your company. "Determination of violation" includes any citations, orders or recommendations issued to or against the company.

### **Debarment**

1. In the last three years has your company been debarred from bidding on, or being awarded, a state or federal project?

Yes       No

### **Occupational Safety & Health**

**Note: Only willful violations of state or federal occupational safety and health laws will result in disqualification; disclosure of other violations does not lead to automatic disqualification.**

2. In the last three years has your company been determined to have committed a **willful violation** of state or federal occupational safety and health law? For purposes of this question, a state or federal occupational safety and health law includes laws enforced by

## Municipality of Anchorage Contractor Questionnaire

---

the Occupational Safety and Health Administration (OSHA), Alaska Occupational Safety and Health (AKOSH), or another state's occupational safety and health agency.

Yes       No

3. In the last three years, has the federal Occupational Safety and Health Administration (OSHA), Alaska Occupational Safety and Health (AKOSH), or another state's occupational safety and health agency, made a determination of violation against your company?

**Note: If you have filed an appeal of a citation and the appropriate appeals board has not yet ruled on your appeal, you need not include information about it.**

Yes       No

If "Yes," attach a separate signed page describing each citation.

### Wage & Hour

**Note: Only willful violations of state or federal wage and hour laws will result in disqualification; disclosure of other violations does not lead to automatic disqualification.**

4. In the last three years has your company been determined to have committed a **willful violation** of state or federal wage and hour law?

Yes       No

5. In the last three years has there been a determination of violation of wage and hour laws against your company? Wage and hour violations include failure to pay minimum wages, overtime, or prevailing wages.

Yes       No

If "Yes," attach a separate signed page describing each violation, identifying the claim by claimant, date, and status/outcome.

### Unemployment Insurance & Workers' Compensation

6. In the last three years has there been a determination of violation of unemployment insurance or workers' compensation requirements against your company?

Yes       No

If "Yes," attach a separate signed page describing each violation, identifying the claim by claimant, date, and status/outcome.

### Licensing & Registration

7. If a license or certificate of fitness is required to perform any services provided by your company, has there been a determination of violation of any certificate of fitness requirements against your company in the last three years?

Municipality of Anchorage  
Contractor Questionnaire

---

Yes       No

If "Yes," attach a separate signed page describing each violation, identifying the claim by claimant, date, and status/outcome.

**Subcontracting**

8. I certify that all independent subcontractors engaged by my company meet the definition of an independent contractor under Alaska Statute 23.30.230.

Yes       No

9. I understand that my company is responsible for ensuring that each subcontractor my company uses on the project completes this form and associated documentation. I will submit any disclosures required by Anchorage Municipal Code.

I understand

10. I understand that my company is responsible for providing this form and any associated documentation for each subcontractor hired after award within 30 days of hire, and that the subcontractor may not begin work on the project until such information is provided.

I understand

11. I understand that my company is responsible for ensuring that if any event, such as a violation or loss of coverage, causes the information submitted by the subcontractor to change, the subcontractor shall submit updated certifications or disclosures within 30 days of occurrence to the department contract administrator.

I understand

I declare under penalty of perjury that the foregoing is true and correct.

Dated: \_\_\_\_\_  
\_\_\_\_\_ (Signature)

\_\_\_\_\_  
(Printed name and title)

**Right to Appeal:** Anchorage Municipal Code provides that any person adversely affected in connection with the award of a municipal contract, including the Municipality's determination on responsibility, may request that the mayor or assembly refer the matter to the bidding review board.