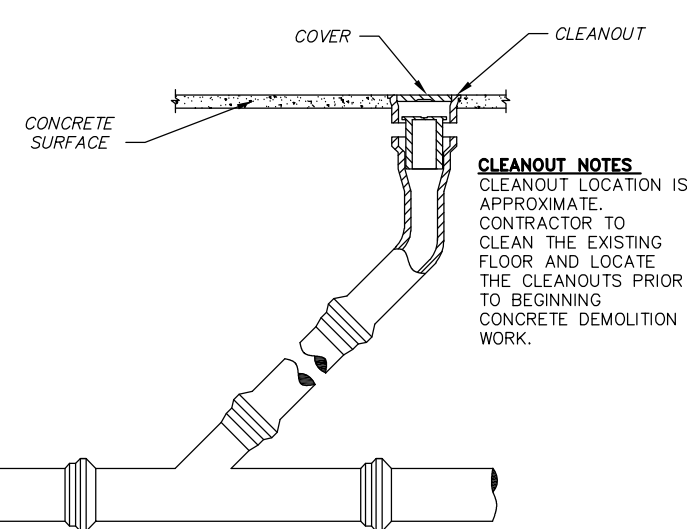


1
3 **TRANSFER STATION TIPPING FLOOR PLAN**
SCALE: AS SHOWN



2
3 **EXISTING YARD CLEANOUT DETAIL**
SCALE: NTS

- NOTES**
- EXISTING CONCRETE SLAB TO BE DEMOLISHED BEFORE INSTALLING NEW 8" SACRIFICIAL CONCRETE SLAB. THICKNESS OF EXISTING SLAB VARIES.
 - MATERIALS CAN BE DISPOSED OF AT ANCHORAGE REGIONAL LANDFILL AT NO ADDITIONAL COST TO THE CONTRACTOR.
 - SEE DETAIL 5 SHEET 4 FOR EXISTING TIPPING FLOOR THICKNESS SURVEY FROM 11/04/2015.
 - THE TRANSFER STATION TIPPING FLOOR REPLACEMENT CONTAINS THREE WORK AREAS:
 - CONCRETE SACRIFICIAL WEARING FLOOR
 - REINFORCED CONCRETE SLAB
 - PUSH RAMP
 - EXISTING REINFORCEMENT IN REINFORCED CONCRETE SLAB TO BE REMOVED CONSISTS OF 6X6 W4.0 X W4.0 WELDED WIRE FABRIC

Schedule A

File: S:\1706 CTS Tipping Floor\07 - CADD\cts DESIGN_2 8-17-2017.dwg

RECORD DRAWING

1. DATA PROVIDED BY: _____ TITLE: _____
THIS WILL SERVE TO CERTIFY THAT THESE RECORD DRAWINGS ARE A TRUE AND ACCURATE REPRESENTATION OF THE PROJECT AS CONSTRUCTED.
CONTRACTOR: _____ DATE: _____

2. DATA TRANSFERRED BY: _____ TITLE: _____
COMPANY: _____ DATE: _____

3. BASED ON PERIODIC FIELD OBSERVATIONS BY THE ENGINEER (OR AN INDIVIDUAL UNDER HIS/HER DIRECT SUPERVISION), THE CONTRACTOR-PROVIDED DATA APPEARS TO REPRESENT THE PROJECT AS CONSTRUCTED.
DATA TRANSFER CHECKED BY: _____ TITLE: _____
COMPANY: _____ DATE: _____

DATA	DRAWN BY	CHECKED BY	FIELD BOOKS	TBM NO.	LOCATION	ELEV.	REV.	DATE	DESCRIPTION
BASE									
TOPOGRAPHY									
PROFILE									
STORM SEWER									
WATER/SANITARY SEWER									
GAS									
TELEPHONE									
ELECTRIC									
DESIGN									
QUANTITIES									
PRELIMINARY/FINAL									
MUNICIPAL/STATE									
PLAN CHECK			CONSTRUCTION RECORD		VERTICAL DATUM				REVISIONS

Stephi ENGINEERING LLC

3900 ARCTIC BLVD, SUITE 204
ANCHORAGE, ALASKA 99503
TEL: (907) 562-1468

CONSULTANT



SOLID WASTE SERVICES

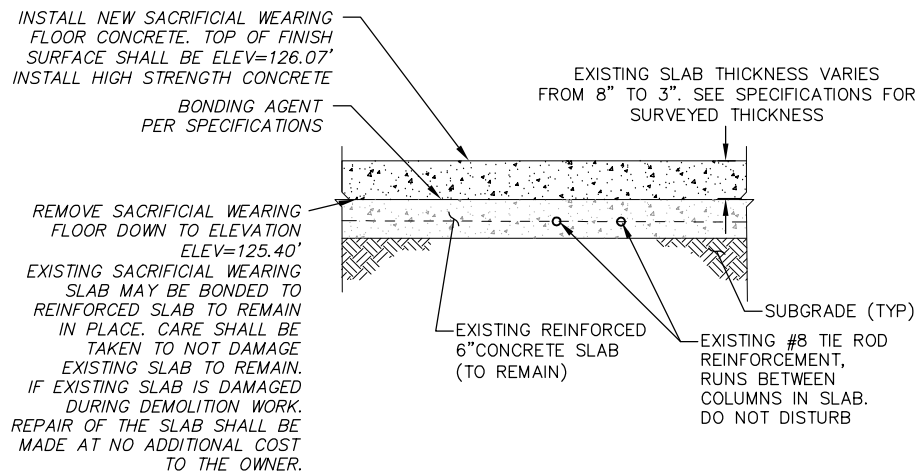
CENTRAL TRANSFER STATION
TIPPING FLOOR REPLACEMENT

TIPPING FLOOR REPLACEMENT

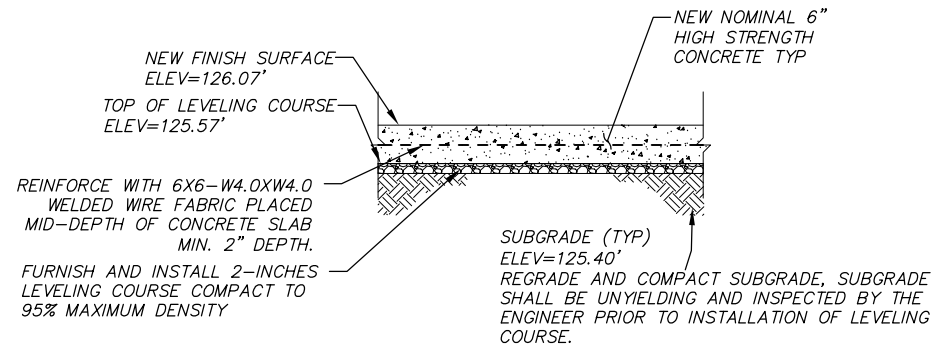
HORZ SCALE: NTS

GRID	DATE JAN 5 2018	STATUS FINAL
------	-----------------	--------------

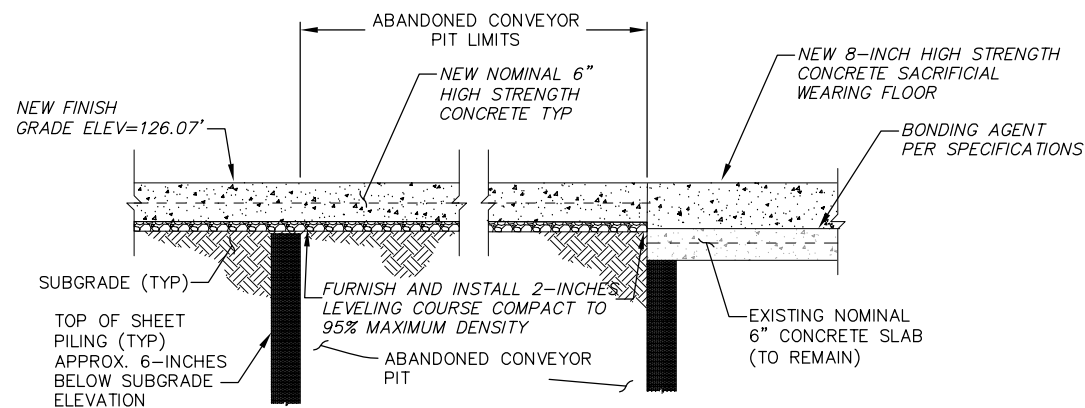
SHEET **3** of **14**



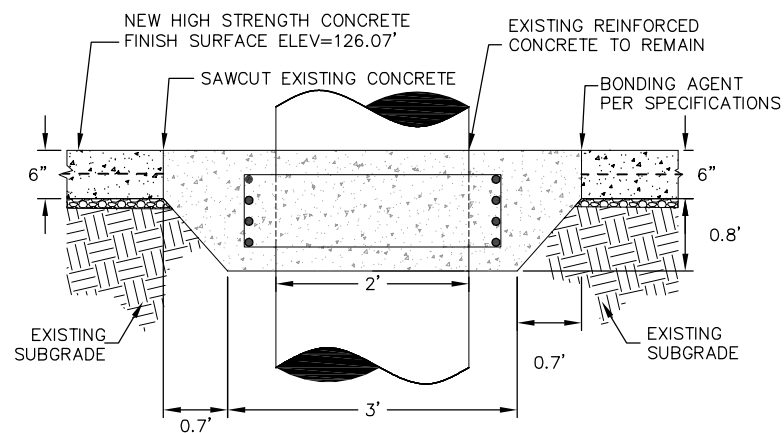
1
4 TRANSFER STATION SACRIFICIAL WEARING FLOOR
SCALE: NTS



2
4 TRANSFER STATION REINFORCED CONCRETE FLOOR
SCALE: NTS



3
4 TRANSFER STATION CONVEYOR PIT SECTION
SCALE: NTS



4
4 GRADE BEAM CROSS SECTION
SCALE: NTS

Floor Wear (inches)

	A	B	C	D	E	F	G	H	I	J	K	L	M
	PUSH RAMP												
1	-1.32	0.84	2.04	1.44	0.36	0.72	2.16	2.40	1.32	0.12			
2	0.00	2.28	2.64	2.28	2.04	2.40	2.76	2.64	1.80	1.20	0.72		
3	0.96	2.16	2.76	2.76	2.76	3.48	3.36	3.36	1.92	2.04			
4	0.96	2.04	2.76	3.00	3.96	3.48	3.48	2.64	1.92	1.92	1.32	1.20	0.60
5	0.00	2.16	3.00	3.00	3.84	3.36	3.36	3.00	1.80	2.16	1.56	1.68	0.72
6	0.00	0.00	0.00	2.88	3.00	2.88	3.12	3.24	2.28	1.68	1.68	1.32	0.96
7	0.00	0.00	2.76	3.24	3.60	3.84	3.84	3.72	2.28	0.96	0.00	0.96	0.48
8	1.08	2.64	2.88	3.96	4.20	0.00	3.36	3.72	3.72	3.48	2.76	2.16	1.44
9	0.96	1.80	2.52	3.36	4.08	3.84	3.24	2.88	2.76	2.76	3.00	2.40	1.80
10	0.96	2.04	2.40	3.48	3.96	3.36	3.12	2.76	2.52	2.64	2.64	2.16	1.44
11	0.84	1.80	2.40	3.48	3.48	3.12	3.48	2.88	1.92	2.40	2.04	2.04	1.44
12	1.08	1.92	2.04	2.88	3.24	3.12	3.60	3.48	3.24	2.64	1.92	1.80	1.32
13	0.72	1.68	2.16	2.16	2.16	2.52	3.00	2.64	2.88	0.96	0.48	0.72	0.48
14	1.20	1.92	2.28	2.64	2.88	2.16	3.12	3.48	4.92	3.12	1.80	1.44	0.96
15	0.84	1.44	2.40	0.00	2.76	2.52	2.28	2.64	3.60	2.64	2.04	1.44	0.48
16	0.84	1.44	1.68	0.00	2.64	1.92	1.92	2.28	2.88	2.64	1.92	1.20	0.36
17	0.12	1.08	1.44	0.00	1.80	1.80	2.04	2.04	2.04	1.20	1.20	0.96	0.36
18	0.00	0.00	0.00	0.00	0.24	0.12	0.12	0.12	0.12	0.00	0.00	0.00	0.00

WEST END

Elevation measurements at each intersection in floor joint grid
Survey Date - 11/04/2015

5
4 TRANSFER STATION FLOOR MEASUREMENTS
SCALE: NTS

Schedule A

File S:\1706 CTS Tipping Floor\07 - CADD\cts DESIGN_2 8-17-2017.dwg

RECORD DRAWING

1. DATA PROVIDED BY: _____ TITLE: _____
THIS WILL SERVE TO CERTIFY THAT THESE RECORD DRAWINGS ARE A TRUE AND ACCURATE REPRESENTATION OF THE PROJECT AS CONSTRUCTED.
CONTRACTOR: _____ TITLE: _____ DATE: _____

2. DATA TRANSFERRED BY: _____ TITLE: _____
COMPANY: _____ DATE: _____

3. BASED ON PERIODIC FIELD OBSERVATIONS BY THE ENGINEER (OR AN INDIVIDUAL UNDER HIS/HER DIRECT SUPERVISION), THE CONTRACTOR-PROVIDED DATA APPEARS TO REPRESENT THE PROJECT AS CONSTRUCTED.
DATA TRANSFER CHECKED BY: _____ TITLE: _____
COMPANY: _____ DATE: _____

DATA	DRAWN BY	CHECKED BY
BASE		
TOPOGRAPHY		
PROFILE		
STORM SEWER		
WATER/SANITARY SEWER		
GAS		
TELEPHONE		
ELECTRIC		
DESIGN		
QUANTITIES		
PRELIMINARY/FINAL		
MUNICIPAL/STATE		

FIELD BOOKS	TBM NO.	LOCATION	ELEV.	REV	DATE	DESCRIPTION

DESIGN	STAKING	ASBUILT	CONTRACTOR	INSPECTOR

PLAN CHECK	CONSTRUCTION RECORD	VERTICAL DATUM	REVISIONS	CONSULTANT	SEAL

Steph Engineering LLC

3900 ARCTIC BLVD, SUITE 204
ANCHORAGE, ALASKA 99503
TEL: (907) 562-1468

STATE OF ALASKA
49th
Russell E. Porter
CE 13363
1/5/2018
REGISTERED PROFESSIONAL ENGINEER

SOLID WASTE SERVICES

CENTRAL TRANSFER STATION
TIPPING FLOOR REPLACEMENT

TIPPING FLOOR DETAILS

HORZ SCALE: NTS

GRID _____

DATE JAN 5 2018 STATUS FINAL SHEET 4 of 14